

# Wall Mounted EV Charger

## Products

### Wall Mounted EV Charger-PEVC2109 (7kW-22kW)



#### Compact and Beautiful design

Scientific and technological appearance design, simple and practical, well-integrated. Modular design of functions can flexibly create exclusive configurations for different needs of users.



#### Easy to Operate

Users can use different charging methods according to different scenarios: charging while inserting, starting and stopping by swiping cards, connecting mobile phones to APP, so as to prevent others from using your charger. Friendly human-computer interaction interface, simple operation procedure, so that gives users confidence every time when charging.



#### Safety and Durable

DC 6mA+Type A AC 30mA protection  
Excellent waterproofing level up to IP54  
It has flame retardant property, moistureproof, mildew proof and salt spray proof.



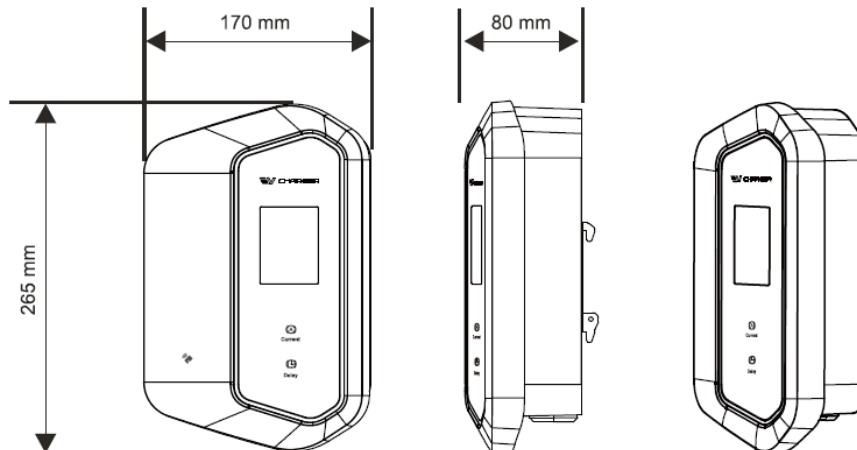
#### Innovativeness

simple installation approach, blind installation positioning. low maintenance, Automatic fault diagnosis Easy to Maintain, - Front door operation and maintenance.

**CE RoHS**

#### Product dimension

Size: 265x170x80  
Measurement Unit: mm



## Wall Mounted EV Charger-PEVC2109 (7kW-22kW)

### Specification

Model	PEVC2109E Series		PEVC2109U Series	
	For	Europe		North America
Power Input	Input Type	1-Phase	3-Phase	1-Phase
	Input Wiring Scheme	1P+N+PE	3P+N+PE	1P+N+PE
	Rated Voltage	230VAC±10%	400VAC±10%	L1:100VAC±10%/ L2:230VAC±10%
	Rated Current	16A or 32A		
	Grid Frequency	50Hz or 60Hz		
Power Output	Output Voltage	230VAC±10%	400VAC±10%	L2:230VAC±10%
	Maximum Current	16A or 32A		
	Rated Power	7kW	11kW or 22kW	7kW
User Interface	Charge Connector	Type 2 Plug		Type 1 Plug
	Cable Length	5m or Optional		
	LED Indicator	Red/ Green/ Blue		
	LCD Display	2.4 Inch LCD Color Screen		
	RFID Reader	ISO/IEC 14443 RFID Card Reader		
	Start Mode	Plug&Charge/RFID Card/APP		
Communication	Backend	Bluetooth		
	Charging protocol	/		
Safety and Certification	Energy Metering	Embedded Meter Circuit Component With 1% accuracy		
	Residual Current Device	DC 6mA+Type A AC 30mA		
	Ingress Protection	IP54		
	Impact Protection	IK10		
	Cooling method	Natural Cooling		
	Electrical Protection	Over/Under Voltage Protection, Over Current Protection, Short Circuit protection, Over/Under Temperature Protection, Lightning Protection, Ground Protection		
	Certification	CE		
	Certification and Conformity	IEC61851-1, IEC62196-1/-2, SAE J1772		
Environment	Mounting	Wall-mount/Pole-mount		
	Storage Temperature	-40°C - +85°C		
	Operating Temperature	-30°C - +50°C		
	Max. Operating Humidity	95%, Non-condensation		
	Max. operating altitude	2000m		
Mechanical	Product Dimension	265mm*170mm*80mm (W*D*H)		
	Package Dimension	285mm*190mm*110mm (W*D*H)		
	Weight	5kg(Net ) / 6kg(Gross)		
	Accessory	Cable Holder, Pedestal(Optional)		